

PARTS CATALOG

Card Reader-E1

Canon

Oct 12 2005

PREFACE

This Parts Catalog contains listings of parts used

Diagrams are provided with the listings to aid the service technician in identifying clearly, the item to be ordered.

Whenever ordering parts, consult this Parts Catalog for all of the information pertaining to each item. Be sure to include, in the Parts Request, the full item description, the item part number, and the quantity.

COPYRIGHT (C) 1999 CANON INC.

Use of this manual should be strictly supervised to avoid disclosure of confidential information.

Contents

NUMERICAL INDEX

Card Reader-E11-1

Card Reader-E1

E10 CARD READER-E12-1

NUMERICAL INDEX

Card Reader-E1

PARTS NUMBER	FIGURE & KEY NO.	PARTS NUMBER	FIGURE & KEY NO.	PARTS NUMBER	FIGURE & KEY NO
FB3-8873-000	E10 - 1				
FC1-8289-000	E10 - 2				
FC3-1277-000	E10 - 3				
FF3-2302-000	E10 - 5				
FG3-2710-000	E10 -				
FG6-8478-000	E10 - 6				
FH5-3317-000	E10 - 4				
XB1-2300-807	E10 - 503				
XB4-6261-209	E10 - 504				
XB6-7301-206	E10 - 501				
XB7-2200-307	E10 - 505				
XD1-4100-302	E10 - 502				
XD1-4100-402	E10 - 506				

Card Reader-E1

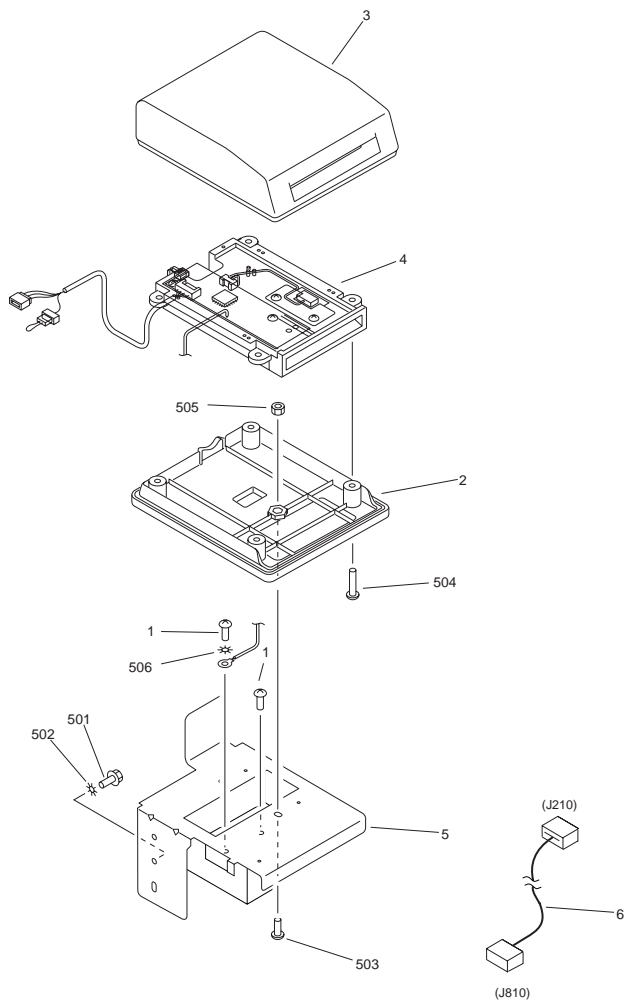
Card Reader-E1

F25-9422-000 XJF

Contents

E10 CARD READER-E1	2-1
--------------------------	-----

FIGURE E10 CARD READER-E1



NOTE : This assembly does not include the parts shown with key No. 501 and 502.
 注 : このユニットにKey No. 501, 502の部品は含まれません。

FIGURE & KEY NO.	PARTS NUMBER	R A N K	Q'TY	DESCRIPTION	SERIAL NUMBER/REMARKS	S V C
Fig.E10	FG3-2710-000		1	CARD READER-E1		
1	FB3-8873-000		2	SCREW, ROUND END, M4X4		
2	FC1-8289-000		1	COVER, LOWER		
3	FC3-1277-000		1	PANEL, CONTROL CARD		
4	FH5-3317-000		1	CARD READER UNIT		
5	FF3-2302-000		1	MOUNT, CONTROL CARD		
6	FG6-8478-000		1	CABLE, CARD-IP	J210,810	
501	XB6-7301-206		1	SCREW, RS, M3X12	SEE NOTE	
502	XD1-4100-302		1	TOOTHED LOCK WASHER	SEE NOTE	
503	XB1-2300-807		1	SCREW, CROSS-RECESS, FCH		
504	XB4-6261-209		4	SCREW, SELF-TAPPING, M2.6X12		
505	XB7-2200-307		1	NUT, M3		
506	XD1-4100-402		1	TOOTHED LOCK WASHER(SUS)		

Prepared by
OIP HFE Promotion Center
CANON INC.

Canon